



**COUNTY OF COLE
JEFFERSON CITY, MISSOURI**

REQUEST FOR BID

**2020-13: CREW CAB MECHANIC'S SERVICE TRUCK
COLE COUNTY PUBLIC WORKS**

SUBMISSIONS SHALL BE ACCEPTED UNTIL

THURSDAY, APRIL 9th at 3:00 p.m. Central

AND RECEIVED AT:

**COLE COUNTY COMMISSION
311 EAST HIGH STREET, ROOM 200
JEFFERSON CITY, MO 65101**

Broadway Ford Truck Sales
Company Name

Joe Sind
Direct Contact Name (Typed/Printed)

1506 S 7th St
Mailing Address

Manager
Title

St Louis, MO 63104
City/State/Zip

jsind@broadwaytruck.com
Email

314-495-7607
Office Telephone Number

Same
Direct Line or Extension

I hereby certify that I am submitting the following information on behalf of the above-listed company and understand that by virtue of executing and returning with this response this REQUIRED RESPONSE FORM, I further certify full, complete and unconditional acceptance of the terms and conditions of this solicitation, all attachments and the contents of any Addendum released hereto. (Submission must be signed by an officer or employee having authority to legally bind the respondent.)

[Signature]
Authorized Signature

Joe Sind
Authorized Name (Typed/Printed)

Type text here

Manager
Title

4/8/20
Date

ANTI-COLLUSION STATEMENT

STATE OF Missouri

COUNTY OF St Louis

Joe Sind being first

duly sworn, deposes and says that he is Account Manager
(title of person signing)

of Broadway Ford Truck Sales

(Name of Bidder)

that all statements made and facts set out in the proposal for the attached bid are true and correct; and that the bidder (The person, firm, association, or corporation making said bid) has not, either directly or indirectly, entered into any agreement, participated in any collusion, or otherwise taken any action in restraint of free competitive bidding in connection with such bid of any contract which result from its acceptance.

Affiant further certifies that bidder is not financially interested in, or financially affiliated with, any other bidder for the attached bid.

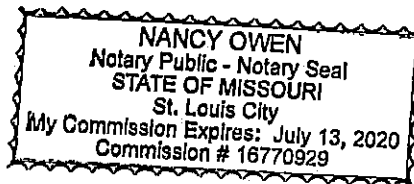
(BY) Nancy Owen

(BY) _____

Sworn to before me this 8th day of April, 20 20

Nancy Owen
Notary Public

My Commission expires: 7/13/20



ENGINE AND ENGINE COMPARTMENTS CONTINUED

YES	NO	
<u>X</u>	___	M - 220 amp or larger alternator
<u>A</u>	___	M - Dual 730 CCA maintenance free batteries
<u>A</u>	___	M - Electric engine block heater
<u>A</u>	___	M - Smart diesel exhaust brake
<u>A</u>	___	M - Voltage monitoring system with auto idle up control
<u>A</u>	___	M - Cold weather group <i>Heated Mirrors</i>

TRANSMISSION

YES	NO	
<u>A</u>	___	M - Aisin 6 speed automatic transmission
<u>A</u>	___	M - Manual shift on the fly transfer case
<u>A</u>	___	M - Transmission power take off
<u>A</u>	___	M - Transfer case skid plate

Exceeds 10 speed Torq Shift

GROSS VEHICLE WEIGHT

YES	NO	
<u>A</u>	___	M - Truck to be a 19500 GVW
<u>A</u>	___	M - Max tow package
<u>A</u>	___	M - Heavy duty front suspension group

REAR AXLE

YES	NO	
<u>A</u>	___	M - Anti-spin rear differential
<u>A</u>	___	M - Rear heavy duty stabilizer bar
___	<input checked="" type="checkbox"/>	M - Rear suspension helper air bags (air lift) <small>(Air Lift does not offer a kit for Ram 2020 Chassis 5500) Ford F550 Only for 2019 models not verified for 2020</small>

BRAKES

YES	NO	
<u>A</u>	___	M - Four-wheel disc anti-lock brakes

WHEELS & TIRES

YES	NO	
<u>A</u>	___	M - Front and rear wheels to be 19.5" aluminum wheels
<u>A</u>	___	M - Tires to 225/70R19.5 all-terrain all-position tires
<u>A</u>	___	M - Full size spare tire on steel rim

Covers

CAB INTERIOR FOUR DOOR CREW

YES	NO	
<u>A</u>	___	M - Four door crew cab
<u>A</u>	___	M - Fresh air heat to floor and cab area, dual defrosters, factory installed air conditioning
<u>A</u>	___	M - Intermittent electric windshield wipers with washer
<u>A</u>	___	M - Cruise control
<u>A</u>	___	M - Front seats to be 40-20-40 split bench, vinyl covered
<u>A</u>	___	M - Rear seat to be bench style
<u>A</u>	___	M - Theft deterrent system
<u>A</u>	___	M - Height adjustable front seat belts with outboard retractors for driver and passenger, also with LH and RH shoulder belts
<u>A</u>	___	M - Automatic head lamps, with daytime running lights



QUOTATION

CUSTOMER NAME: Broadway Ford
CITY: St. Louis

STATE / ZIP: MO
REQUESTED BY: Joe Sind

INSTALLED ON: Cummins 6.7L Diesel, DRW
4x4
TRANSMISSION: Aisin 6spd auto

PHONE NO: 314-495-7607

FAX NO:

REQ NO Cole County 2020-13
TERMS: Net 30

DATE: 4-8-20

MODEL
W/B: 84" C-A

2020-13 Crew Cab Mechanic's Service Truck for Cole County Public Works
Dakota body 132"L x 44"H x 94"W
84" Cab-Axle

Includes:

40CFM Air Boss Compressor BA 440. 20013-004. 22Gal air tank # 80288. 140psi
50ft hose reel

Receiver Hitch w/ 3" D-rings, 7-way RV

Rear bumper steps

LED flood lights

Rear Strobes built into body

Right rear air spring

Boom mounted light

Hyva Service Crane HS6621 E2 HR – electric/hydraulic, 2 hydraulic extensions
to 19'8" reach. Handheld radio control

Hyva Outrigger SC721800 MHH one side hydraulic out, both sides hydr up/down

\$59,609 Installed

600 Harris Ave.

St. Louis, MO 63147
www.mstestl.com

314-389-7705

7" (5) 3"

COMPARTMENT 2 – LEFT HAND SIDE (DRIVER SIDE)

YES NO
 M - 51" Wide x 20" Tall
 M - (1) 49.5 adjustable shelves

COMPARTMENT 3 – LEFT HAND SIDE (DRIVER SIDE)

YES NO
 M - 27" Wide x 44" High with three adjustable shelves

COMPARTMENT 1 – RIGHT HAND SIDE (PASSENGER SIDE)

YES NO
 M - RV1 – 27" Wide x 60" High Oxy/Act. Compartment with brackets for tanks
 M - RV1 – 27" Wide x 60" High with 3 adjustable shelves

COMPARTMENT 2 – RIGHT HAND SIDE (PASSENGER SIDE)

YES NO
 M - 45" Wide x 19.25" deep with (1) 3" deep adjustable shelf

COMPARTMENT 3 – RIGHT HAND SIDE (PASSENGER SIDE)

YES NO
 M - 27" Wide x 44" High crane base, outrigger controls, filters gauges' air hose reel, and back up alarm all installed inside of this compartment

HYDRAULIC PUMP

YES NO
 M - Hydraulic pump to be PTO driven from transmission
 M - Must be capable of running an air compressor and the mounted 7000 lb crane
 M - With 20-gallon hydraulic system reservoir mounted in the front of the bed
 M - Hydraulic filters and gauges to be mounted in crane base compartment

CRANE

YES NO
 M - 7000-pound crane with a 20-foot boom length and an adjustable boom support
 M - 370-degree rotation
 M - Wireless remote control
 M - Double acting cylinders with holding and counter balance valves
 M - Boom mounted planetary winch with min 55 feet of cable
 M - Crane hook and snatch block
 M - Boom tip mounted LED work light
 M - Hydraulic over load shutdown system
 M - Power up and down stabilizer controls mounted in crane base compartment

CAB INTERIOR FOUR DOOR CREW CONTINUED

YES	NO	
<input checked="" type="checkbox"/>	<input type="checkbox"/>	M - Drive/passenger assist handles
<input checked="" type="checkbox"/>	<input type="checkbox"/>	M - Power steering
<input checked="" type="checkbox"/>	<input type="checkbox"/>	M - Tilt steering wheel
<input checked="" type="checkbox"/>	<input type="checkbox"/>	M - Rear view mirror
<input checked="" type="checkbox"/>	<input type="checkbox"/>	M - AM/FM radio cell phone blue tooth capable
<input checked="" type="checkbox"/>	<input type="checkbox"/>	M - Gauge cluster with engine tachometer, speedometer, water temperature, oil pressure, air pressure, volts, and fuel gauge
<input checked="" type="checkbox"/>	<input type="checkbox"/>	M - Dome light and hazard warning flashers
<input checked="" type="checkbox"/>	<input type="checkbox"/>	M - 12-volt power outlet
<input checked="" type="checkbox"/>	<input type="checkbox"/>	M - Dash mounted auxiliary switches
<input checked="" type="checkbox"/>	<input type="checkbox"/>	M - Power windows and power door locks
<input checked="" type="checkbox"/>	<input type="checkbox"/>	M - Keyless entry
<input checked="" type="checkbox"/>	<input type="checkbox"/>	M - Black vinyl flooring covering
<input checked="" type="checkbox"/>	<input type="checkbox"/>	M - Factory fit floor mats
<input checked="" type="checkbox"/>	<input type="checkbox"/>	M - Factor installed electric brake controller
<input checked="" type="checkbox"/>	<input type="checkbox"/>	M - Front safety air bags

CAB EXTERIOR FOUR DOOR CREW

YES	NO	
<input checked="" type="checkbox"/>	<input type="checkbox"/>	M - Heated power exterior mirrors
<input checked="" type="checkbox"/>	<input type="checkbox"/>	M - Chrome tubular side steps
<input checked="" type="checkbox"/>	<input type="checkbox"/>	M - Strobe lights (2) mounted in the front grill
<input checked="" type="checkbox"/>	<input type="checkbox"/>	M - Rear back up camera
<input checked="" type="checkbox"/>	<input type="checkbox"/>	M - Chrome appearance group
<input checked="" type="checkbox"/>	<input type="checkbox"/>	M - 7 pin trailer wiring plug rear mounted
<input checked="" type="checkbox"/>	<input type="checkbox"/>	M - Fuel tank, 52-gallon rear mounted tank

BODY CONSTRUCTION

YES	NO	
<input checked="" type="checkbox"/>	<input type="checkbox"/>	M - 11 foot galvanized steel crane body with built in locking system and right rear crane Mount
<input checked="" type="checkbox"/>	<input type="checkbox"/>	M - 25-inch work bench bumper with intergraded 14 inch through compartment
<input checked="" type="checkbox"/>	<input type="checkbox"/>	M - Spray in bed liner on bed floor and work bench
<input checked="" type="checkbox"/>	<input type="checkbox"/>	M - 3-inch receiver hitch with D rings and 7 pin RV trailer plug
<input checked="" type="checkbox"/>	<input type="checkbox"/>	M - 6 recessed cargo tie downs in floor
<input checked="" type="checkbox"/>	<input type="checkbox"/>	M - 2 rear bumper steps
<input checked="" type="checkbox"/>	<input type="checkbox"/>	M - 10-inch fold down tailgate with single latch
<input checked="" type="checkbox"/>	<input type="checkbox"/>	M - Aluminum swing out doors
<input checked="" type="checkbox"/>	<input type="checkbox"/>	M - 3 point locking rotary T-handle style latches
<input checked="" type="checkbox"/>	<input type="checkbox"/>	M - Stainless steel hinges
<input checked="" type="checkbox"/>	<input type="checkbox"/>	M - LED compartment lights in all compartments
<input checked="" type="checkbox"/>	<input type="checkbox"/>	M - 4 LED flood lights on at each corner of bed
<input checked="" type="checkbox"/>	<input type="checkbox"/>	M - Rear strobe lights (2) built into bed

COMPARTMENTS

COMPARTMENT 1 – LEFT HAND SIDE (DRIVER SIDE)

YES	NO	
<input checked="" type="checkbox"/>	<input type="checkbox"/>	M - LV1 - 27" Wide x 44" High with integrated tool box with the following draws, (1) 5" (1) 7" (5) 3"
<input checked="" type="checkbox"/>	<input type="checkbox"/>	M - LV2 - 27" Wide x 44" High with integrated tool box with the following draws, (1) 5" (1)

AIR COMPRESSOR

YES / NO

- M - Hydraulic driven 40 CFM compressor mounted on driver's side about compartment LV-1
- M - 140 PSI
- M - 22-gallon air tank (frame mounted)
- M - Auto retracting air hose reel with 50 ft. of 1/2 hose, mounted in the crane base compartment

PAINT REQUIREMENTS: MANDATORY

Exterior color to be Dupont automotive Dulux Enamel Paint WHITE in color. BLACK frame and undercarriage has to be black. Grille, headlamp rims, number, etc. to be standard component color. Interior color to be exterior color with color keyed interior trim, upholstery, seat belts, visor, floor mats, and etc.

Note: All equipment and options shall be installed by certified installers.

- A. Manufacturer of vehicle and year: 2020 Ford F550 w/ DAKOTA Body installed by MSTE
- B. Manufacturer of the body and of other equipment: _____
- C. Statement of Warranty: _____

D. Total price of chassis, bed, crane and air compressor: \$ 115,947

Number of days to delivery: 180

Do you agree to cooperative procurement: Yes No

Do you represent a disadvantaged business enterprise: Yes No

Do you represent a minority owned business enterprise: Yes No

I/We the undersigned do hereby certify that the information presented in this bid is true and accurate and agree to provide the specified equipment to the Cole County Public Works.

Joe Sind
Printed Name of Bidder

[Signature]
Signature of Authorized Representative

Joe Sind Manager
Name & Title of Representative

Address 1506 S. 7th St

Date 4/8/20

Email jsind@broadwaytruck.com

Phone 364-495-7600

Cole County Service
Body

DAKOTA BODIES
 Ph: 605.882.1400 201 20th Ave SE
 Fax: 605.882.0828 P.O. Box 1665
 www.dakotabodies.com Waterlawn, SD 57201

VIEW OUR NEW WEBSITE AT
 WWW.DAKOTABODIES.COM

w/ Crane
- att'd bed
from Hy Va

Quotation Number Q39892

To:	Midwest Systems	Date:	3/25/2020
Attn:	Chris Shocklee		
Customer:	Cole County		
Spec Number:	2020-13	Inside Sales:	Tyler Glang
State:	Missouri	Outside Sales:	Bryan Memaugh
Engine Type:	Diesel	Reference:	
Crane/Unit Model:	TBD	Same As:	
Chassis:	TBD		
Axle Configuration:	DRW (4x4)		

Dakota Bodies LLC. Steel Crane Body

132 Inches Long x 44 Inches High x 94 Inches Wide
 Chassis Cab to Axle (CA) of 84 Inches

Body Dimensions:

132	Inches - Body Length
44	Inches - Body Height
94	Inches - Body Width
84	Inches - Chassis C/A
44	Inches - Compartment Height
19.25	Inches - Compartment Depth
55.5	Inches - Load Space Width
26	Inches - Top of Body to Top of Floor Dimension
20	Inches - Horizontal Compartment Height
6	Inches - Wheel Box Height

Body Materials:

- 16 ga Galvanneal - Main Body Material
- 13 ga. 4-Way Treadplate - Compartment Tops Material
- 14 ga Galvanneal - Wheel Panels Material
- 14 ga Galvanneal - Front Bulkhead Material
- 18 ga Galvanized - Shelving Material
- Adjustable on Single Unistrut - Shelving Mounting Style
- Options:
- No - Front Rock Guards Material
- No - Wheel Well Liners Material
- No - Bed Area Wall Liners Material

Door Materials:

- Standard, Double Panel - Door Type
- .063 Aluminum - Inner Door Material
- .063 Aluminum - Outer Door Material
- Aluminum Rod and Socket - Door Hinge Style
- 5/16" Aluminum Rod - Door Rod Material
- Gas Cylinder - Vertical Door Holder Option
- Chain - Horizontal Door Holder Option
- Three (3) Point Whale Tail - Latch Type
- Keyed Alike - Lock Type

Floor and Understructure:

- 12 ga (.109) 4-Way Treadplate - Bed Area Floor Material
- Full - Body Frame Style
- Structural - Body Frame Material
- 6 Inch - Body Frame Height

Bed Area Tie Downs: (Bolt On / Installed)

- Six (6) Tie Down Ring (1040), Zinc (PN# 30403)
- Three (3) Curbside and Three (3) Streetside Evenly Spaced
- Structural Backing Plates Under Floor

Accessories:

- Rubber Rolled Crown (PN# 30134) (Installed with Wheel Cut-Outs)
- Automotive Bulb Weatherstripping (PN# 30132) (Installed)
- Master Door Lock, Hook and Loop System on Both Sides with Two (2) Spring Loaded Door Handles
- Two (2) Fuel Filler Cutout in Front and Rear Streetside of Fender Panel

Interior Lighting:

- L.E.D. Rope Lights (PN# 30811) in All body Compartments (Installed)

Paint:

- Powdercoat Complete; Interior and Exterior, DBI White DWS9-20011-C50; PC0009
- Paint the Floor and Tailshelf Raptor Liner with Aggregate
- Rubberized Protective Undercoating

Streetside Compartmentation:

1st Vertical Compartment: Compartment top to be reinforced for approx 300Lbs - Customer to install an air compressor

- 27" Wide x 44" High x 19.25" Deep Compartment
- One (1) Fixed shelf above drawer unit
- Single Lock In / Lock Out Drawers (RH) Mounted on 250 lb. Roller Bearing Slides
 - Drawers will Latch on RH Side of Drawer, Both Open and Closed
 - Drawers will have Divider Slots on 2" Centers
- Five (5) Drawer(s) 3" High x 17" Wide x 14.25" Deep
 - Three (3) Adjustable Left to Right Dividers Per Drawer
- One (1) Drawer(s) 5" High x 17" Wide x 14.25" Deep
 - Three (3) Adjustable Left to Right Dividers Per Drawer
- One (1) Drawer(s) 7" High x 17" Wide x 14.25" Deep
 - Three (3) Adjustable Left to Right Dividers Per Drawer

2nd Vertical Compartment:

- 27" Wide x 44" High x 19.25" Deep Compartment
- One (1) Fixed shelf above drawer unit
- Single Lock In / Lock Out Drawers (RH) Mounted on 250 lb. Roller Bearing Slides
 - Drawers will Latch on RH Side of Drawer, Both Open and Closed
 - Drawers will have Divider Slots on 2" Centers
- Five (5) Drawer(s) 3" High x 17" Wide x 14.25" Deep
 - Three (3) Adjustable Left to Right Dividers Per Drawer
- One (1) Drawer(s) 5" High x 17" Wide x 14.25" Deep
 - Three (3) Adjustable Left to Right Dividers Per Drawer
- One (1) Drawer(s) 7" High x 17" Wide x 14.25" Deep
 - Three (3) Adjustable Left to Right Dividers Per Drawer

Horizontal Compartment:

- 51" Wide x 20" High x 19.25" Deep Compartment
- One (1) Adjustable Shelf
- Divider Slots on 2" Centers, with Eight (8) Adjustable Dividers

Rear Vertical Compartment:

- 27" Wide x 44" High x 19.25" Deep Compartment
- Three (3) Adjustable Shelves
- Divider Slots on 2" Centers, with Four (4) Adjustable Dividers

Curbside Compartmentation:

1st Vertical Compartment:

- 27" Wide x 60" High x 19.25" Deep Compartment
- Oxy / Acetylene Storage in this Compartment
- Floor of Compartment is Heavy Treadplate Inlay with 1" Up Returns
- Two (2) 9" Dia. 12 Ga. Galvanized Tank Brackets per Tank (Four (4) Total)
 - Each Bracket has Edge Trim and Ratchet Strap
 - Brackets are Mounted on Vertical Unistrut
- Louver Vented at Back / Bottom of Compartment
- Splash Guard on Exterior of Body over Vent

2nd Vertical Compartment:

- 27" Wide x 60" High x 19.25" Deep Compartment
- Three (3) Adjustable Shelves
- Divider Slots on 2" Centers, with Four (4) Adjustable Dividers

Horizontal Compartment:

- 51" Wide x 20" High x 19.25" Deep Compartment
- One (1) 3" Adjustable Shelf
- Divider Slots on 2" Centers, with Eight (8) Adjustable Dividers

Rear Vertical Compartment:

- 27" Wide x 44" High x 19.25" Deep Compartment
- This compartment to be reinforced for 6,500 lbs. - 10,000 crane mounting (36,001 - 60,000 Ft/Lbs.)
- Whole pattern in crane compartment top for customer installed crane (Crane Model TBD)
- Dakota Bodies to install customer supplied outrigger tube (Outrigger Tube P/N TBD)

Disclaimer:

If the cab/chassis truck that is being used to mount this crane body does not come with an AF dimension (rear axle to rear tip of frame) long enough to support the entire tubular service body crane support structure, it will be the responsibility of the licensed truck up-fitter to add frame extensions per the truck OEM recommended practices. Mounting of this body on a cab/chassis that does not have sufficient AF dimension to support the entire length of the tubular service body crane support structure will partially void the service body warranty.

Tailgate:

- Hinged tailgate 10" high X full width of bed area installed at rear of load space.

Workbench Dropped Tail shelf:

- 3/16" HR Plate tail shelf 25 inches long X 94 inches wide x 12 inches high.
 - Install Customer Supplied Outrigger Tube in Tailshelf
 - 14" Wide through Compartment in the tail shelf with vertically hinged doors.
- NOTE: Tailshelf doors to have single point Whale Tail Latches
- Recessed 2-section bumper 8" long X body width with treadplate top - installed
 - Rear skirt to bottom of body - 12 gauge galvanized SMOOTH

Exterior Lighting:

- 7 Lamp Located In the Light Bar Rear Lighting in Tailshelf; (installed)
- Two (2) Stop/Tail/Turn Lights - Peterson Brand M826R-7 LED (PN# 30660)
- Two (2) Clear Back Up Lights - Peterson Brand M826C-7 LED (PN# 30703)
- Two (2) Front Clearance Lights Reflector Style - Peterson brand M173A LED (PN# 30678)
 - Wired to Rear Clearance Light Circuit
- Two (2) Side Clearance Lights Reflector Style - Peterson brand M173R LED (PN# 30679)
- Two (2) Rear Clearance Lights Reflector Style - Peterson brand M173R LED (PN# 30679)
- Three (3) Light Center Cluster Reflector Style - Peterson brand M173R LED (PN# 30679)
- 7-Lamp Light Wiring Harness (PN# 30366)

Grabhandles: Bolt-on/Installed

- Two (2) Bolt-on Pool Type Grabhandles installed at rear of tailshelf - One each side

Total Each

& OUTRIGGER TUBE PART NUMBER

Special Order Parts:

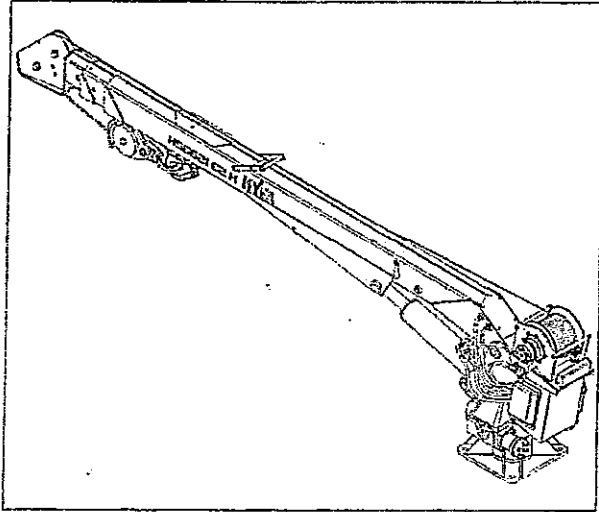
--

Quotation is valid for 30 days
F.O.B. Dakota Bodies, Watertown, SD
Please feel free to call for any clarifications.
Best Regards,
Dakota Bodies, Inc.

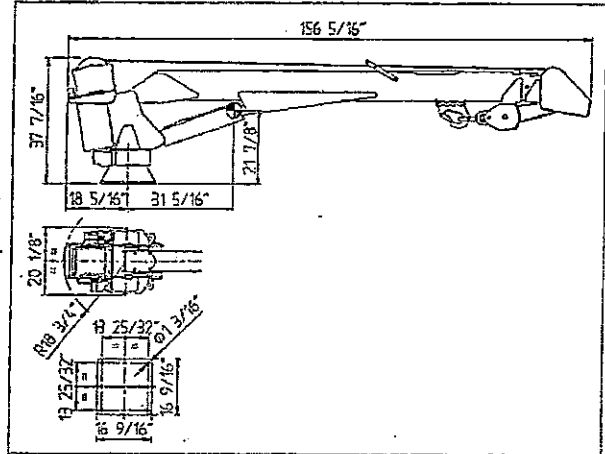
Please complete this sheet or include this information on your purchase order.
This information helps us expedite your order, cross off what may not apply.

Purchase Order Number: _____
Name of End User: _____
Required delivery date: _____
- Chassis Info.
TBD
Year: _____
Model DRW (4x4) _____
4x2, 4x4, SRW, DRW, Gas or Diesel
Diesel
Cab to Axle (Inches) 84
V.I.N. (if known) _____
- Aerial/Digger Info.
Manufacturer: _____
Outrigger Style _____
H-Style, A Style, Modified A, Radial, etc....
Manufacturer: _____
Weight Rating _____
- Crane Reinforcement
Please submit any optional equipment or other market items that may interfere
with the body mounting or any other available info that may be applicable.

SPECIFICATIONS FOR TYPE: HS6621 E2 H



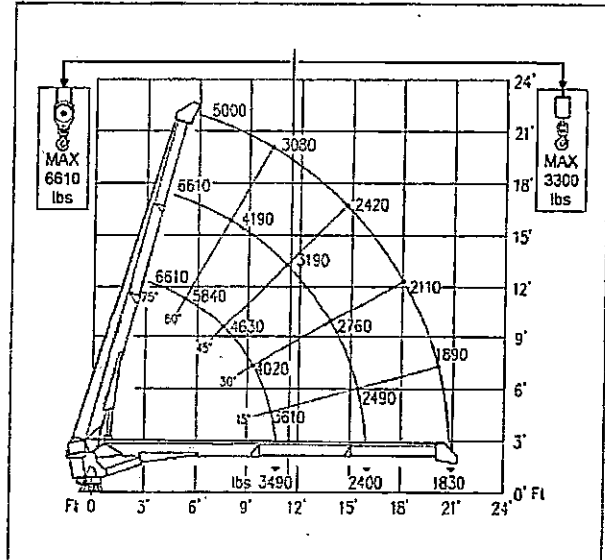
DIMENSIONS



TECHNICAL DATA

Crane Rating	38.600 ft.lbs
Extension Type	2 hydraulic
Hydraulic Extension	9 ft 10"
Horizontal Reach (from center line of rotation)	21 ft
Lifting Height from base of crane	21 ft
Slewing Angle	Continuous
Slewing Torque	5.700 ft.lbs
Boom Elevation Angle	-5° / +75°
Max. Working Pressure	2.610 psi
Suggested Oil Flow	4.2 - 4.8 gpm
Crane Weight	1.280 lbs

WORKING ENVELOPE



WINCH SPECIFICATION	
Winch Single Line Capacity (1 st layer)	4.430 lbs
Winch Single Line Capacity (3 rd layer)	3.300 lbs
Winch Pull Line Speed (2 nd - 3 rd layer)	39 ft/min.
Wire Rope Diameter	3/8 inch
Wire Rope Length	98 ft 5"



Chris Shocklee, MSTE

March 26, 2020



HYVA HS6621 E2 H R Service Crane

Standard features

- Telescopic boom featuring two hydraulic stages to 21' horizontal reach
- Protected boom internal extension cylinders
- Hydraulic slewing with continuous 360 degree rotation
- High speed hydraulic planetary winch
- 98 ft. of 3/8 " non-twisting cable, 20,700 lbs. minimum breaking strength
- Low friction weather-proof polymer sheeves
- Swivel hook & travelling block for double pull line
- Hook type storage for travelling block with auto-disengagement
- Equipped for work light fitting (power connector and support on boom tip end)
 - Dealer to provide work light
- Painted Hyva White: (RAL 9003) polyurethane enamel

Remote Control & Safety Systems

- Full safety control, integrated load limiting device, pull line limiter & last wrap stop on drum
- Radio remote control unit
- Fully digital proportional control
- Digital processor, LED display, with self-diagnostic and ease of settings
- Emergency shut-off, truck engine start/stop, LED scale capacity indicator, and equipped for truck engine throttle up and air compressor start
- Emergency manual override on all solenoid operated valves
- 13 ft. length remote control cable for use where radio operation is not permitted
- 6 ft battery recharging cable length with plug for in-cab power outlet

Crane Additional Specifications

- 38,600 ft. lb. rated crane
- Two hydraulic extensions to max reach of 21'
- Capacity at 10'9" is 3,490 lbs.
- Capacity at 21' is 1,860 lbs.
- Crane weight is 1,280 lbs.

- SC060422 HS6621 E2 HR 6,6,00 lb. electric/hydraulic crane, 2 hyd extensions
 - to 19'8" reach. Handheld fully proportional radio control



engineered AIR systems

MINIMUM SPECIFICATIONS FOR BOSS BA440 RECIPROCATING AIR COMPRESSOR

TYPE

Boss BA 440 above deck is a hydraulically driven reciprocating air compressor rated at 40 CFM up to 100 PSI. BA440 system is to run intermittently.

COMPRESSOR

BOSS single stage, air cooled, 4-cylinder, pressure lubricated reciprocating air compressor. Aluminum compressor assembly for lighter weight and higher thermal efficiency. No cast iron compressor assembly acceptable.

CFM/PSI	RPM	GPM	HYD PSI
30/100 (150 max)	1,150	8	1,850 (2,100 max)
35/100 (150 max)	1,400	10	1,850 (2,100 max)
40/100 (150 max)	1,650	12	1,850 (2,100 max)

Integrated hydraulic system cooler to handle air compressor GPM flow. Compressor to be pressure lubricated via oil pump. Splash lubrication only is not acceptable. Integrated solenoid and relief valve incorporated into the compressor package.

DRIVE SYSTEM

Direct coupled, gear-type hydraulic motor to compressor input shaft.
No belt drive allowed

WEIGHT

Compressor installed weight not to exceed 180 lbs.

DEMENSIONS

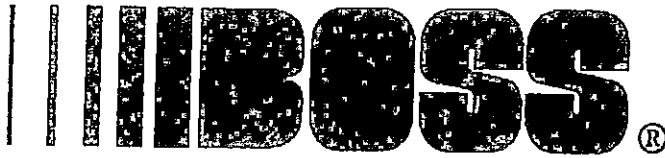
26 1/2" L x 19 1/8" H x 19 3/4" W

Revised: 09/11/2017
Supersedes: N/A

Specifications subject to change without notice

Page 1 of 2

1761 Genesis Dr. • LaPorte IN 46350 • 219/324-7776 Phone • 219/324-7470 Fax



engineered AIR systems

AIR FEED

200 psi 1/2" – 3/4" air feed down stream of the BA 440 air out is required.

AIR RESERVOIR

Minimum 22 Gallon Air Reservoir required.

SERVICE

Routine maintenance items accessible without removal of canopy.

FINISH

Enclosure to be durable, light weight, powder-coat painted and rust resistant aluminum. Galvanneal sheet metal not acceptable.

COOLING

12VDC electric 14" fan assembly integrated into package for compressor head cooling and single pass hydraulic system cooler. Cooling air intake must not see air temperatures above ambient. Cooling air discharge must have 10" clearance from any obstructions. Ambient temperature for operation should be below 100°F (38°C). The machine may experience high temperature shutdown above this level.

OPERATING SLOPE

20 deg. Maximum operating slope in any direction.

MANUAL

To include operation, maintenance and warranty information.

WARRANTY

18 months. See warranty statement.